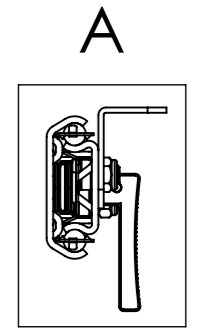
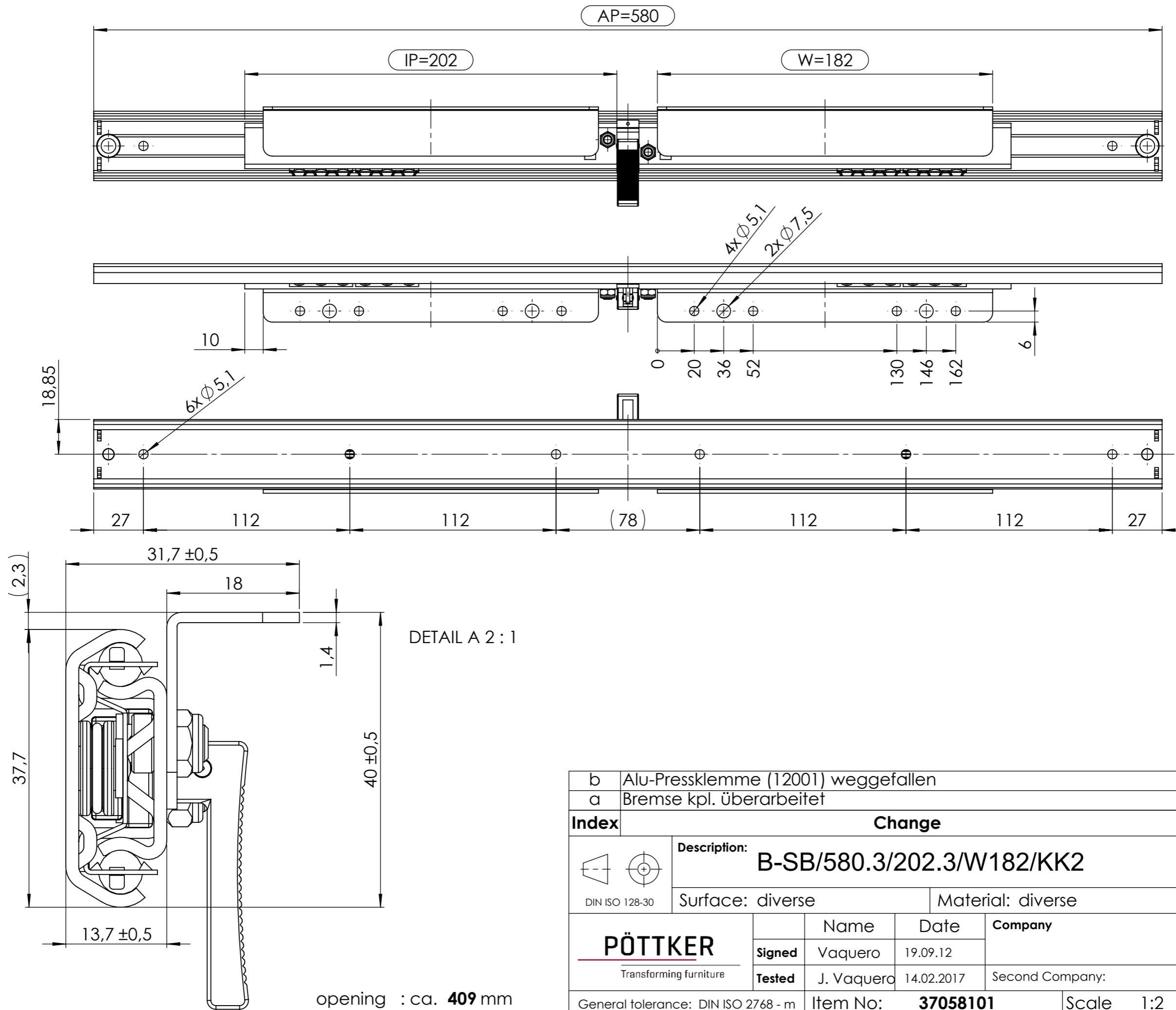
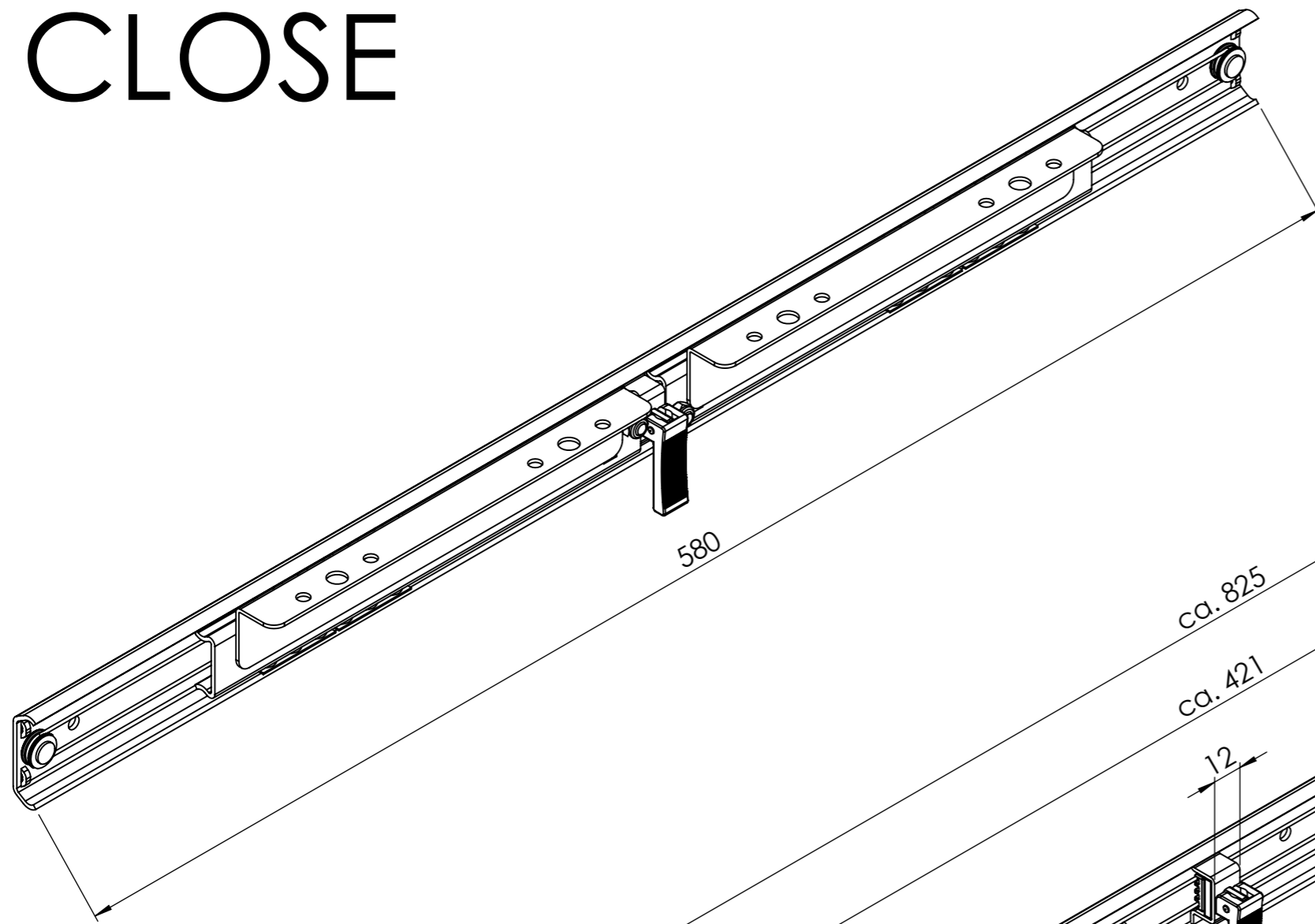


All property rights and rights to exploitation of copyright for this drawing data remain ours; they may not be made available to third parties without our consent.

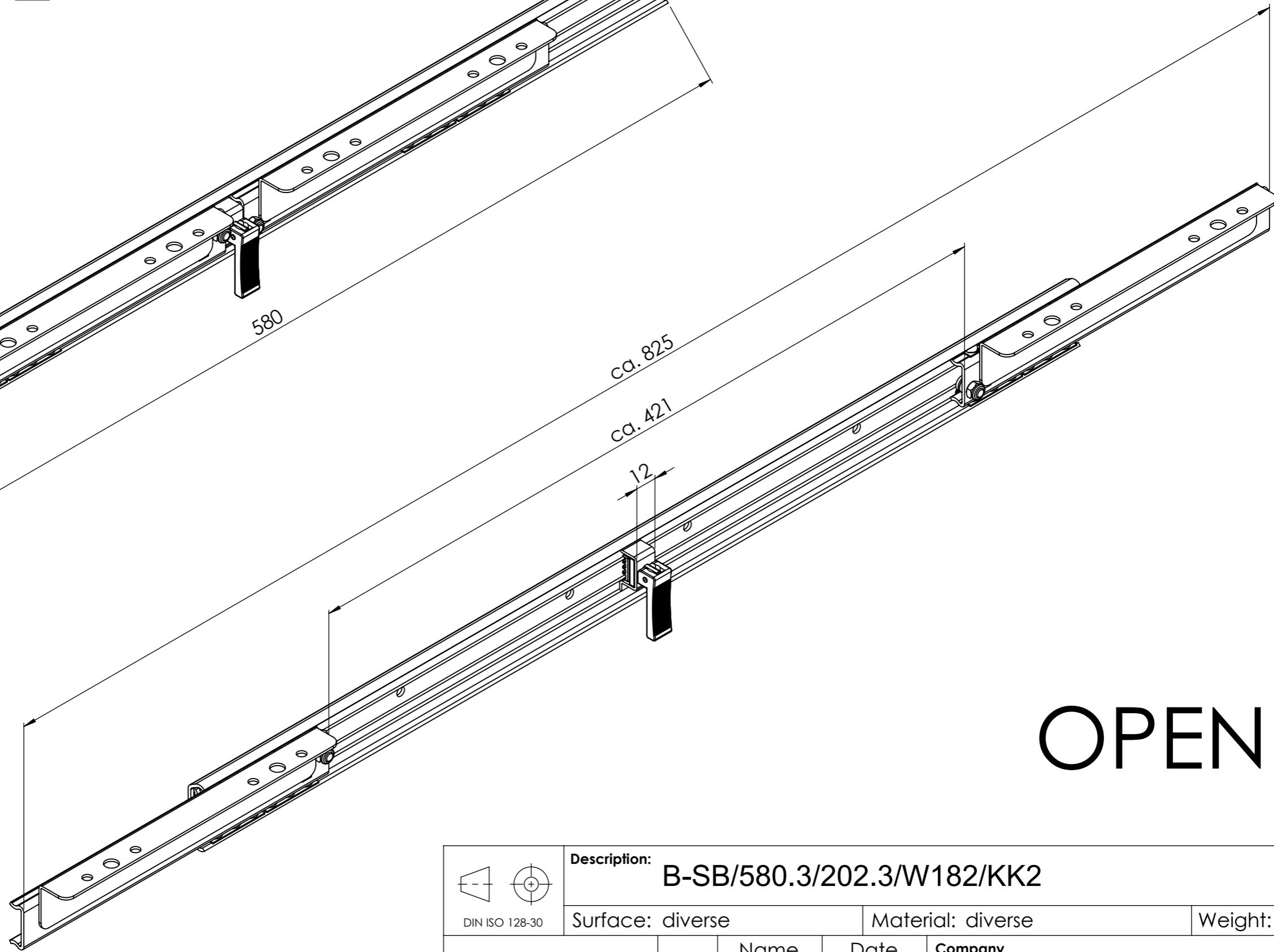


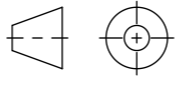
| | | | |
|-----------------------------------------------|-------------------------------------|--------------------------|-------------|
| b | Alu-Pressklemme (12001) weggefallen | 14.02.17 | Va. |
| a | Bremse kpl. überarbeitet | 05.01.17 | Va. |
| Index | Change | Date | Name |
| Description: B-SB/580.3/202.3/W182/KK2 | | | |
| Surface: diverse | | Material: diverse | |
| | | Weight: 0.86 kg | |
| PÖTTKER Transforming furniture | Name | Date | Company |
| | Signed | Vaquero | 19.09.12 |
| | Tested | J. Vaquero | 14.02.2017 |
| General tolerance: DIN ISO 2768 - m | | Item No: 37058101 | Scale 1:2 |
| | | Page 1/3 | A3 |

CLOSE



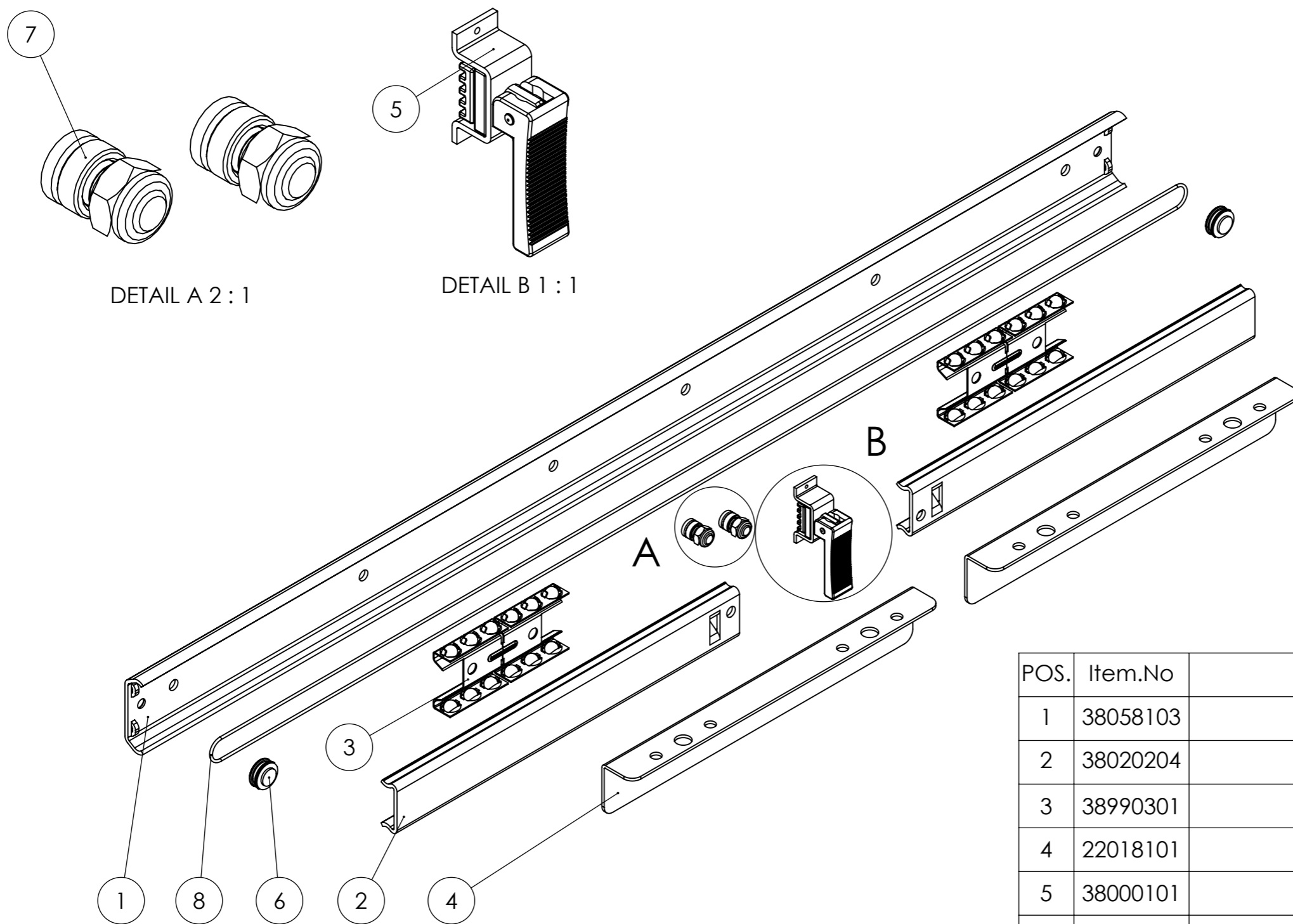
OPEN



| | | | | | | |
|---------------------------------------------------------------------------------------------------------|-----------------------------------------------|------------|-------------------|-----------------|-----------------|-----------|
|  DIN ISO 128-30 | Description: B-SB/580.3/202.3/W182/KK2 | | | | | |
| | Surface: diverse | | Material: diverse | | Weight: 0.86 kg | |
| PÖTTKER Transforming furniture | Name | Date | Company | | | |
| | Signed | Vaquero | 19.09.12 | Second Company: | | |
| | Tested | J. Vaquero | 14.02.2017 | | | |
| General tolerance: DIN ISO 2768 - m | | Item No: | 37058101 | Scale 1:2 | Page 2/3 | A3 |

All property rights and rights to exploitation of copyright for this drawing data remain ours; they may not be made available to third parties without our consent.

All property rights and rights to exploitation of copyright for this drawing data remain ours; they may not be made available to third parties without our consent.



| POS. | Item.No | Artikelbezeichnung | Menge x2 |
|------|----------|----------------------------------|-------------|
| 1 | 38058103 | AP-B-S_580.3_LB27-3_Typ02 | 1 |
| 2 | 38020204 | IP-B-S_202.3_Typ13 | 2 |
| 3 | 38990301 | KK37_2_St-St | 2 |
| 4 | 22018101 | W/182.1 | 2 |
| 5 | 38000101 | UBG/B/37-Bremse | 1 |
| 6 | 38000102 | UBG/B/37-Umlenkrolle | 2 |
| 7 | 38000103 | UBG/B/37-Synchronseilbefestigung | 2 |
| 8 | 15000 | Drahtseil Ø1,25x580 | 1 |

| | | | |
|--------------------------------------------------|-----------------------------------------------|------------|-------------------|
| <p>DIN ISO 128-30</p> | Description: B-SB/580.3/202.3/W182/KK2 | | |
| | Surface: diverse | | Material: diverse |
| Weight: 0.86 kg | | | |
| <p>PÖTTKER Transforming furniture</p> | Name | Date | Company |
| | Signed | Vaquero | 19.09.12 |
| | Tested | J. Vaquero | 14.02.2017 |
| General tolerance: DIN ISO 2768 - m | | Item No: | 37058101 |
| | | Scale | 1:2 |
| | | Page | 3/3 |
| | | A3 | |